

BLOOD PROCESSING SYSTEM



The Rendertech Contact Drier (CD) is an indirect steam heated, continuous drier for drying a variety of granular and fluid products. The construction consists of a horizontal shell with disc rotor for heating and transport of the product.

The rotor comprises a tubular shaft carrying a number of steam heated hollow discs. Fitted to the edge of the discs are agitator blades to transport the material along the drier.

BENEFITS

- **Simple to operate** - Occasional monitoring by operators is all that is required.
- **Low Maintenance Costs** - Simple design and robust construction ensures minimum maintenance requirements. Removable covers provide convenient access for inspection.
- **Handles Difficult Materials** – The disc construction allows drying of materials from free flowing granular to more sticky materials.
- **Energy Consumption** - Large heating surface area in a compact machine means reduced heat loss and high thermal efficiency. Steam consumption is typically 1.25 - 1.35 kg/kg of water evaporated.
- **Energy Recovery** - Energy can be recovered efficiently from the drier exhaust for hot water generation or powering a waste heat evaporator.
- **Odour Control** - Vapour from drier exhaust is predominantly water vapour with a small amount of air. Volumes to condense and deodorise are consequently small.

CAPACITY

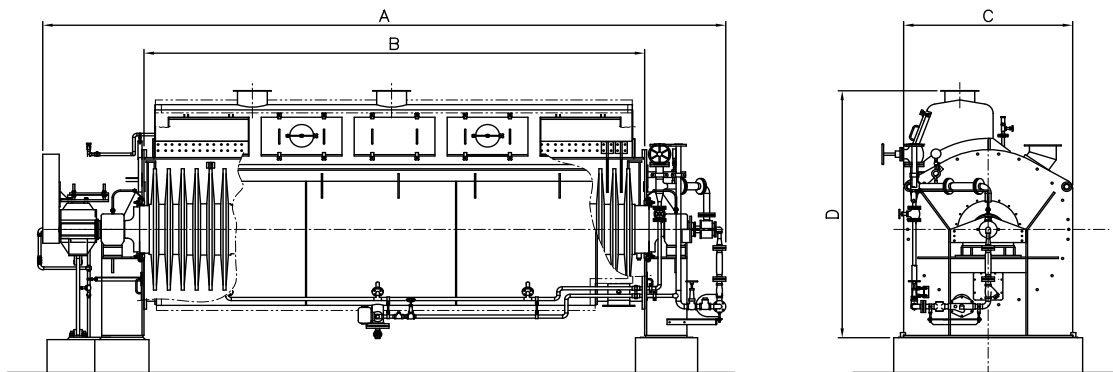
The CD Driers are available in a range of sizes from 20m² to over 400m². Machines can be supplied with heated jackets to increase the size range and ensure optimum selection for the duty.

DESIGN CODES

The Driers are designed and manufactured to meet the requirements of PD 5500 or AS1210 pressure vessel codes.

REPLACEMENT ROTORS

Rendertech can supply total replacement rotors for existing disc driers or replace worn discs.



MODEL	HEATING SURFACE		DRIVE MOTOR kW	DIMENSIONS				SHIPPING WEIGHT	
	m ²	(J) m ²		A mm	B mm	C mm	D mm	kg	(J) kg
CD20	23		11	4,400	3,020	1,300	2,075	5,200	
CD40 (J)	40	51	22	5,650	3,360	2,175	2,150	9,500	11,500
CD75 (J)	75	93	30	6,920	5,035	1,700	2,500	17,000	20,000
CD120 (J)	120	141	45	6,930	4,420	2,140	2,900	25,500	29,000
CD160 (J)	160	190	55	8,820	6,100	2,140	2,900	34,000	39,000
CD200 (J)	198	232	75	10,220	7,500	2,140	2,900	40,000	46,000
CD260 (J)	266	310	90	11,850	8,710	2,480	3,300	59,000	67,000
CD325 (J)	320	376	110	13,950	10,800	2,480	3,300	68,500	72,000
CD400 (J)	398	454	150	13,050	9,550	2,730	3,800	80,000	90,000

1. Data is approximate and may vary with the application. 2. (J) denotes drier with a heated jacket.